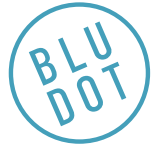
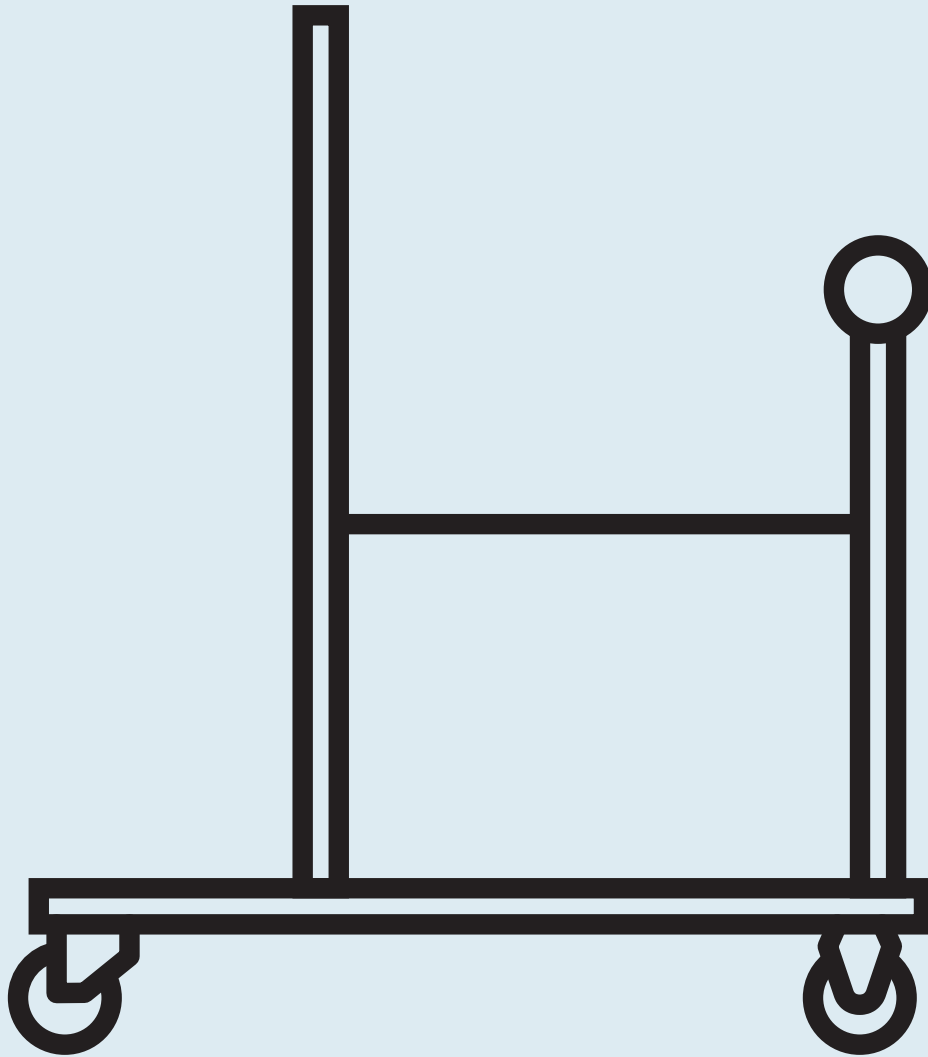


# Stacking Chair Dolly



DESIGNED IN 2020

ASSEMBLY NOTES | REV 00



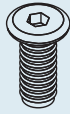
## NEED A HAND?

Contact us at [service@bludot.com](mailto:service@bludot.com) or **844.425.8368** for assistance.

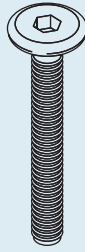
## @BLUDOT

We design all our pieces in our Minneapolis studio. Follow along on Instagram for some sneak peeks into the process.

# Parts & Hardware



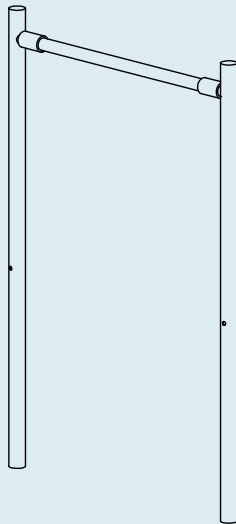
QTY 4  
Pt. 1083



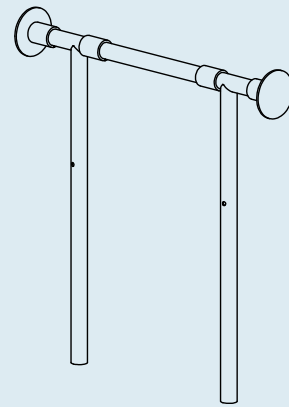
QTY 4  
Pt. 1610



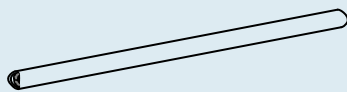
QTY 1  
Pt. 9013



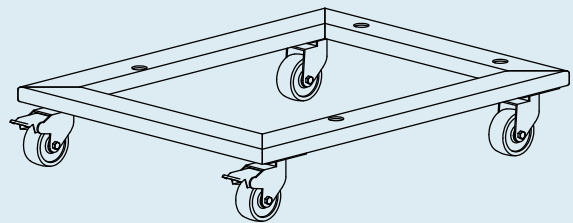
QTY 1  
Tall Bar



QTY 1  
Short Bar



QTY 2  
Stretchers

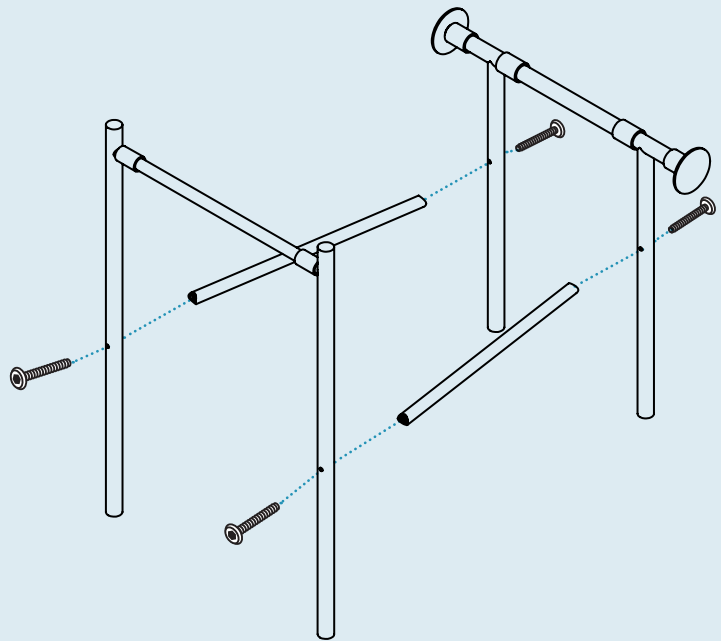


QTY 1  
Base

# Step 01

## CONNECT STRETCHERS AND BARS

Attach rails and bars using provided hardware as shown. Ensure that the bar pieces are oriented correctly to align with the angle of the stretchers. Do not over-tighten bolts.



Pt. 1610 x 4

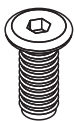
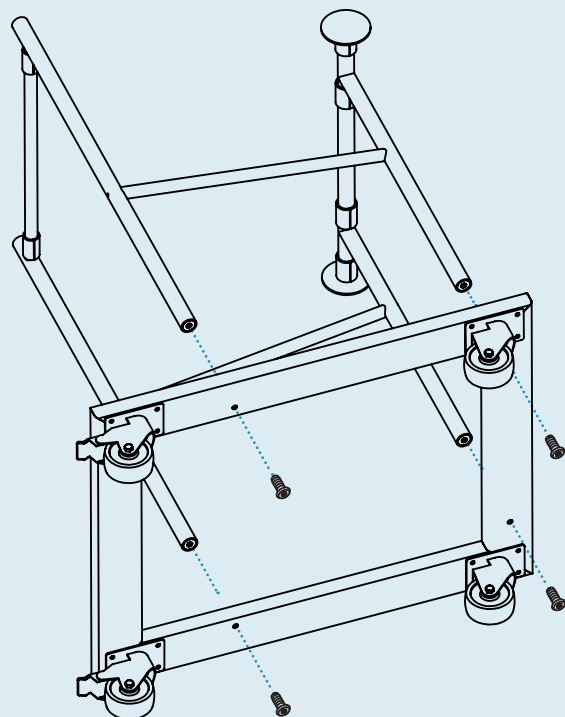


Pt. 9013 x 1

# Step 02

## ATTACH BARS TO BASE

Attach the bars to the base using provided hardware as shown.



Pt. 1083 x 4



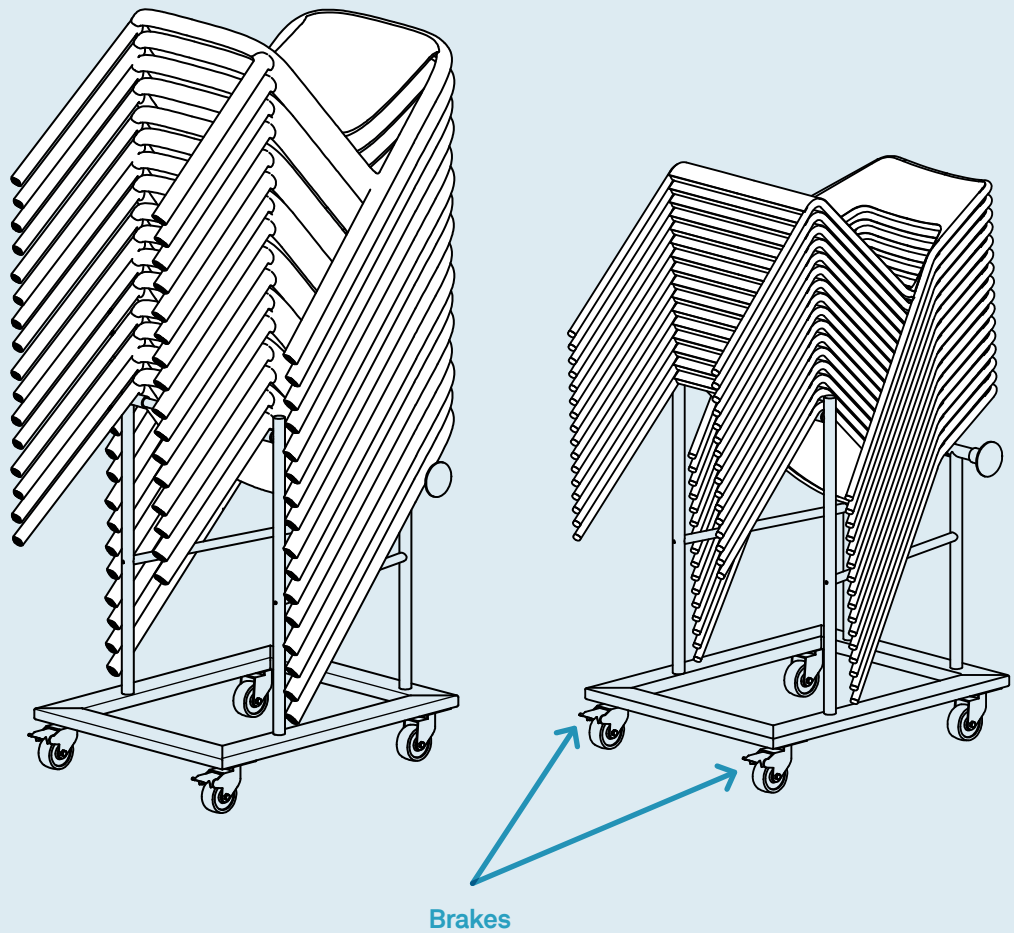
Pt. 9013 x 1

## Step 03

### TIGHTEN BOLTS

Tighten bolts to complete assembly.

**NOTE:** A maximum of 16 chairs may be stacked on each dolly as shown.



Pt. 9013 x 1

## Additional Information

### CLEAN

Clean with a slightly damp, soft cloth. To remove dirt and fingerprints, use a quality cleaner formulated for metal furniture. Wipe completely dry with a soft cloth.

